

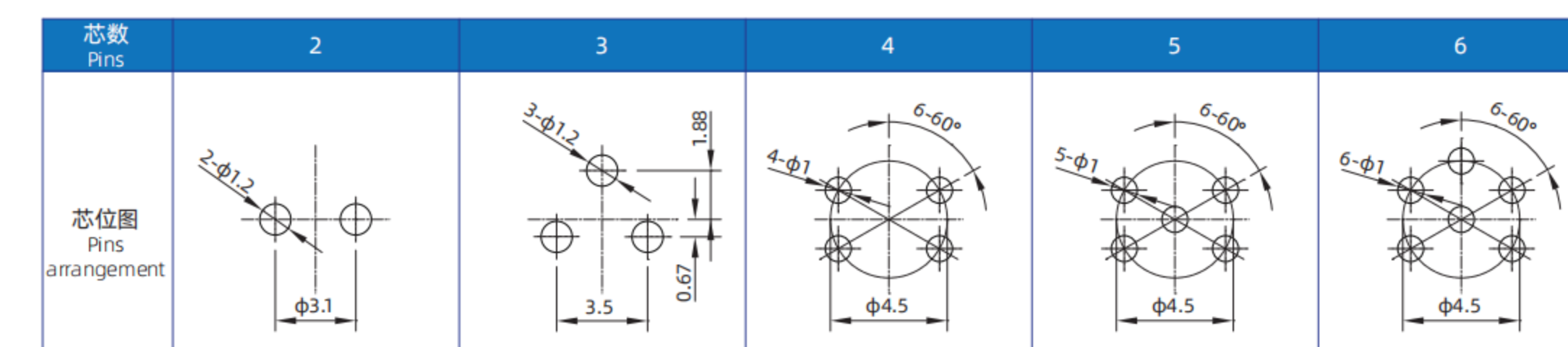
组装式针型直式对接插头(螺纹式)

E7 Straight Male Field Installable Mating Plug(Threaded)

E7T - P 3 - PWK 06

芯数:
2 3 4 5 6

E7-PCB芯位图 E7 PCB PINS ARRANGEMENT



E7-电气参数 E7 ELECTRICAL PARAMETERS

芯数排列及技术参数 PINS ARRANGEMENT & TECHNICAL PARAMETERS					
芯数 Pins	2	3	4	5	6
芯位排布 Pins arrangement					
规格 SPECIFICATIONS					
芯数 Pins	2	3	4	5	6
线规 Wire gauge	0.519mm ² (20AWG)		0.34mm ² (20AWG)		
引脚类型 Pin type	$\phi 1.0mm$		$\phi 0.8mm$		
接线范围 Wiring range	3.5mm~6.8mm				
防水等级 Waterproof grade	IP67/IP68				
插拔次数 Durability	500				
适应温度 Applicable temperature	-45°C~105°C				
额定电压 Rated voltage	125V	125V	60V	60V	60V
额定电流 Rated current	5A	5A	2A	2A	2A

东莞市高迪电子有限公司
DONG GUAN GAO DI ELECTRONICS CO., LTD

TOLERANCE UNLESS OTHERWISE STATED:
Up to 5 ±0.2
Above 5 ~ 15 ±0.3
Above 15 ~ 30 ±0.4
Above 30 ~ 50 ±0.5
Angle ±0.3°

3RD. ANGEL'S

UNITS MM

DRAWN BY:	DATE	MAT'L	TITLE	CONNECTOR
Jack Lu	12/13/19			
CHECKED BY:	DATE	FINISH	MODLE	E7T - P 3 - PWK 06
Jacky Chen	12/13/19			
APPROVED BY:	DATE	SCALE	DWG NO.	
Tony Kao	12/13/19	1 : 1		
SHEET NO.	1 of 1	PART NO.		
				SIZE A4
				VER R1